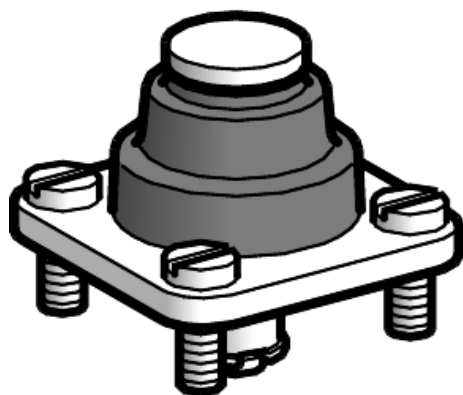


Price* : 41.32 GBP



Main

Range of product	OsiSense XC
Series name	Special format
Product or component type	Limit switch head
Device short name	ZC1AC
Head type	Plunger head
Product compatibility	XC1AC
Movement of operating head	Linear
Type of operator	Spring return plunger metal
Type of approach	Vertical approach
Positive opening	Without

Complementary

Product weight	0.035 kg
----------------	----------

Environment

Ambient air temperature for operation	-25...70 °C
Ambient air temperature for storage	-40...70 °C
Environmental characteristic	Standard environment

Offer Sustainability

EU RoHS Directive	Not applicable, out of EU RoHS legal scope
-------------------	--

Contractual warranty

Warranty	18 months
----------	-----------