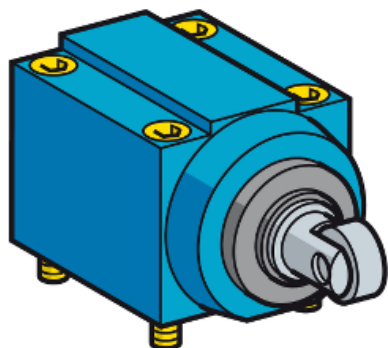




Price\* : 46.19 GBP



## Main

Range of product	OsiSense XC
Series name	Special format
Product or component type	Limit switch head
Device short name	ZC2J
Head type	Plunger head
Product compatibility	XC2J
Associated body	ZC2JC2 ZC2JD2 ZC2JC28 ZC2JC18 ZC2JC1 ZC2JD1
Movement of operating head	Linear
Type of operator	Side roller plunger spring return metal (with vertical roller)
Type of approach	Lateral approach, 2 directions

## Complementary

Switch actuation	By 30° cam
Positive opening	Without
Product weight	0.245 kg
Head material	Metal

## Environment

Ambient air temperature for operation	-25...70 °C
Ambient air temperature for storage	-40...70 °C
Environmental characteristic	Standard environment

**Offer Sustainability**

Sustainable offer status	Green Premium product
EU RoHS Directive	Pro-active compliance (Product out of EU RoHS legal scope) <a href="#">EU RoHS Declaration</a>
Mercury free	Yes
RoHS exemption information	<a href="#">Yes</a>
Environmental Disclosure	<a href="#">Product Environmental Profile</a>
Circularity Profile	No need of specific recycling operations

**Contractual warranty**

Warranty	18 months
----------	-----------