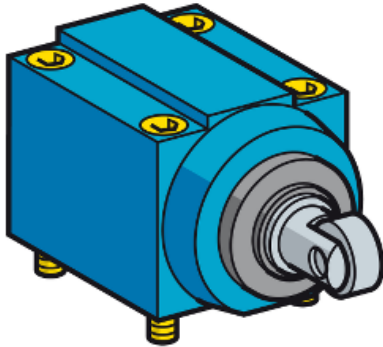




Price* : 49.31 GBP



Main

Range of product	OsiSense XC
Series name	Special format
Product or component type	Limit switch head
Device short name	ZC2J
Head type	Plunger head
Product compatibility	XC2J
Associated body	ZC2JC16 ZC2JC26 ZC2JD16 ZC2JD26
Movement of operating head	Linear
Type of operator	Side roller plunger spring return metal (with vertical roller)
Type of approach	Lateral approach, 2 directions

Complementary

Switch actuation	By 30° cam
Positive opening	Without
Product weight	0.245 kg
Head material	Metal

Environment

Ambient air temperature for operation	-40...70 °C
Ambient air temperature for storage	-40...70 °C
Environmental characteristic	Low temperature

Offer Sustainability

Sustainable offer status	Green Premium product
--------------------------	-----------------------

EU RoHS Directive	Pro-active compliance (Product out of EU RoHS legal scope) EU RoHS Declaration
Mercury free	Yes
RoHS exemption information	Yes
Environmental Disclosure	Product Environmental Profile
Circularity Profile	No need of specific recycling operations

Contractual warranty

Warranty	18 months
----------	-----------