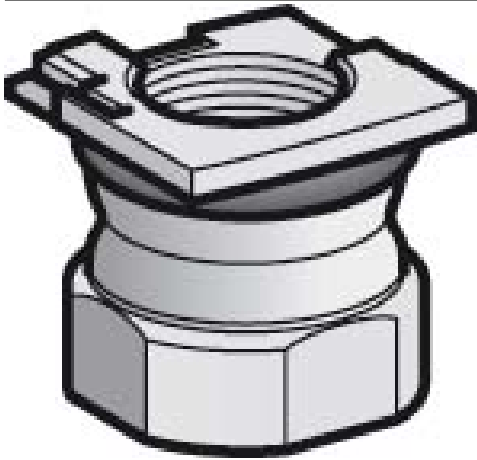


# ZCDEF12

cable gland entry - PF 1/2 (G1/2) - for limit  
switch - metal body



## Main

Accessory / separate part designation	Cable gland entry PF 1/2
Accessory / separate part destination	XCKD body
Accessory / separate part category	Connection accessories
Accessory material	Metal

## Environment

RoHS EUR conformity date	0928
RoHS EUR status	Compliant