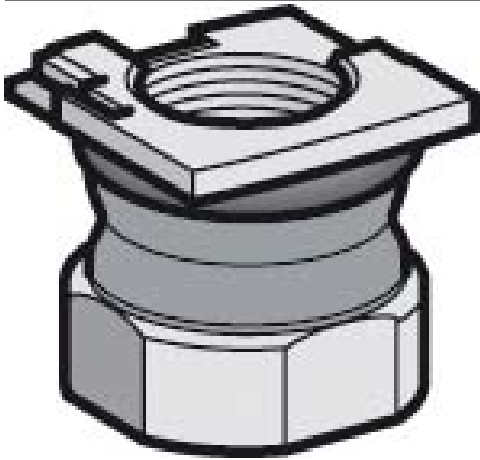


# ZCDEG13

cable gland entry - Pg 13.5 - for limit switch -  
metal body



## Main

Accessory / separate part designation	Cable gland entry Pg 13.5
Accessory / separate part destination	XCKD body
Accessory / separate part category	Connection accessories
Accessory material	Metal

## Environment

RoHS EUR conformity date	0928
RoHS EUR status	Compliant