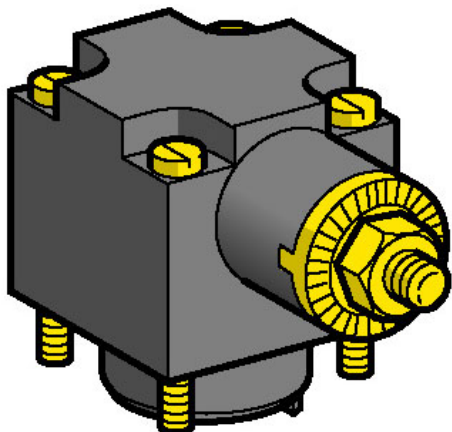


## ZCKD05

limit switch head ZCKD - without lever spring  
return left and or right actuation



### Main

Range of product	OsiSense XC
Series name	Special format
Product or component type	Limit switch head
Device short name	ZCKD
Head type	Rotary head
Product compatibility	XCKL XCKM XCKS
Associated lever	ZCKY31 ZCKY33 ZCKY34 ZCKY39 ZCKY41 ZCKY43 ZCKY49 ZCKY54 ZCKY55 ZCKY59 ZCKY81 ZCKY91

The information provided in this documentation contains general descriptions and/or technical characteristics of the performance of the products contained herein. This documentation is not intended as a substitute for and is not to be used for determining suitability or reliability of these products for specific user applications. It is the duty of any such user or integrator to perform the appropriate and complete risk analysis, evaluation and testing of the products with respect to the relevant specific application or use thereof. Neither Schneider Electric Industries SAS nor any of its affiliates or subsidiaries shall be responsible or liable for misuse of the information contained herein.

Associated body	ZCKL1 ZCKL1H7 ZCKL5 ZCKL5H7 ZCKL6 ZCKL6H7 ZCKL7 ZCKL7H7 ZCKL8 ZCKL8H7 ZCKLD31 ZCKLD31H7 ZCKLD35 ZCKLD35H7 ZCKLD37 ZCKLD37H7 ZCKLD39 ZCKLD39H7 ZCKM1 ZCKM1H29 ZCKM1H7 ZCKM5 ZCKM5H29 ZCKM5H7 ZCKM6 ZCKM6H29 ZCKM6H7 ZCKM7 ZCKM7H29 ZCKM7H7 ZCKM8 ZCKM8H29 ZCKM8H7 ZCKM9 ZCKM9H29 ZCKMD31 ZCKMD31H29 ZCKMD31H7 ZCKMD35 ZCKMD35H29 ZCKMD35H7 ZCKMD37 ZCKMD37H29 ZCKMD37H7 ZCKMD39 ZCKMD39H29 ZCKMD39H7 ZCKS1 ZCKS1H29 ZCKS2 ZCKS2H29 ZCKS404H29 ZCKS5 ZCKS5H29 ZCKS6 ZCKS6H29 ZCKS7 ZCKS7H29 ZCKS8 ZCKS8H29 ZCKS9 ZCKS9H29 ZCKSD31 ZCKSD31H29 ZCKSD35 ZCKSD35H29 ZCKSD37 ZCKSD
Movement of operating head	Rotary
Type of operator	Spring return without operating lever
Type of approach	1 or 2 programmable direction lateral approach
Positive opening	With Without

## Complementary

Switch actuation	From left and/or right
------------------	------------------------

## Environment

Ambient air temperature for operation	-25...70 °C
Ambient air temperature for storage	-40...70 °C
Environmental characteristic	Standard environment
RoHS EUR conformity date	4Q2009
RoHS EUR status	Will be compliant