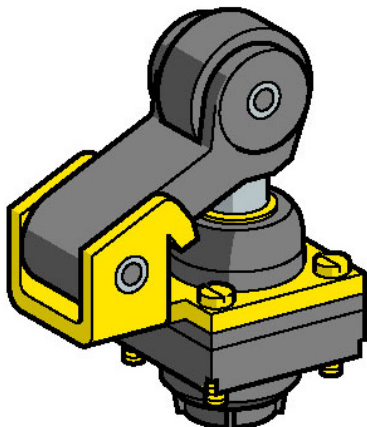


# ZCKD21

limit switch head ZCKD - thermoplastic roller lever plunger horizontal direction



## Main

|                            |   |
|----------------------------|---|
| Range of product           | OsiSense XC   |
| Series name                | Special format  |
| Product or component type  | Limit switch head   |
| Device short name          | ZCKD  |
| Head type                  | Plunger head  |
| Product compatibility      | XCKL<br>XCKM  |
| Associated body            | ZCKL1<br>ZCKL1H7<br>ZCKL5<br>ZCKL5H7<br>ZCKL6<br>ZCKL6H7<br>ZCKL7<br>ZCKL7H7<br>ZCKL8<br>ZCKL8H7<br>ZCKLD31<br>ZCKLD31H7<br>ZCKLD35<br>ZCKLD35H7<br>ZCKLD37<br>ZCKLD37H7<br>ZCKLD39<br>ZCKLD39H7<br>ZCKM1<br>ZCKM1H29<br>ZCKM1H7<br>ZCKM5<br>ZCKM5H29<br>ZCKM5H7<br>ZCKM6<br>ZCKM6H29<br>ZCKM6H7<br>ZCKM7<br>ZCKM7H29<br>ZCKM7H7<br>ZCKM8<br>ZCKM8H29<br>ZCKM8H7<br>ZCKM9<br>ZCKM9H29<br>ZCKMD31<br>ZCKMD31H29<br>ZCKMD31H7<br>ZCKMD35<br>ZCKMD35H29<br>ZCKMD35H7<br>ZCKMD37<br>ZCKMD37H29<br>ZCKMD37H7<br>ZCKMD39<br>ZCKMD39H29<br>ZCKMD39H7 |
| Movement of operating head | Linear<br>Rotary  |
| Type of operator           | Thermoplastic spring return roller lever plunger  |
| Type of approach           | 1 direction lateral approach  |
| Positive opening           | With  |

The information provided in this documentation contains general descriptions and/or technical characteristics of the performance of the products contained herein. This documentation is not intended as a substitute for and is not to be used for determining suitability or reliability of these products for specific user applications. It is the duty of any such user or integrator to perform the appropriate and complete risk analysis, evaluation and testing of the products with respect to the relevant specific application or use thereof. Neither Schneider Electric Industries SAS nor any of its affiliates or subsidiaries shall be responsible or liable for misuse of the information contained herein.

## Complementary

|                  |            |
|------------------|------------|
| Switch actuation | By 30° cam |
|------------------|------------|

## Environment

|                                       |             |
|---------------------------------------|-------------|
| Ambient air temperature for operation | -25...70 °C |
|---------------------------------------|-------------|

|                                     |             |
|-------------------------------------|-------------|
| Ambient air temperature for storage | -40...70 °C |
|-------------------------------------|-------------|

|                              |                      |
|------------------------------|----------------------|
| Environmental characteristic | Standard environment |
|------------------------------|----------------------|

|                          |        |
|--------------------------|--------|
| RoHS EUR conformity date | 4Q2009 |
|--------------------------|--------|

|                 |                   |
|-----------------|-------------------|
| RoHS EUR status | Will be compliant |
|-----------------|-------------------|