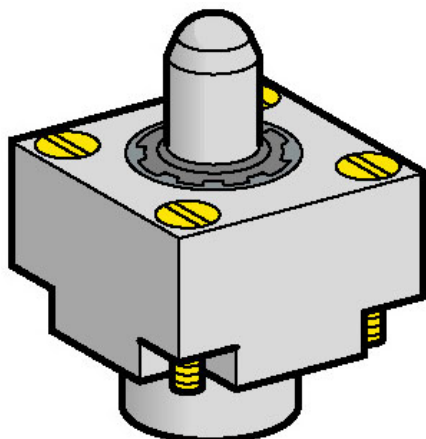


ZCKE665

limit switch head ZCKE - steel ball bearing
plunger - (+120°C)



Main

| | |
|----------------------------|---|
| Range of product | OsiSense XC |
| Series name | Special format |
| Product or component type | Limit switch head |
| Device short name | ZCKE |
| Head type | Plunger head |
| Product compatibility | XCKJ |
| Associated body | ZCKJ1 ZCKJ11 ZCKJ11H29 ZCKJ11H7 ZCKJ1H29 ZCKJ1H7 ZCKJ2 ZCKJ21 ZCKJ21H29 ZCKJ21H7 ZCKJ2H29 ZCKJ2H7 ZCKJ4 ZCKJ41 ZCKJ41H29 ZCKJ41H7 ZCKJ4H29 ZCKJ4H7 ZCKJ5 ZCKJ5H29 ZCKJ5H7 ZCKJ6 ZCKJ6H29 ZCKJ6H7 ZCKJ7 ZCKJ7H29 ZCKJ7H7 ZCKJ8 ZCKJ8H29 ZCKJ8H7 ZCKJ9 ZCKJ9H29 ZCKJ9H7 ZCKJD31 ZCKJD31H29 ZCKJD31H7 ZCKJD35 ZCKJD35H29 ZCKJD35H7 ZCKJD37 ZCKJD37H29 ZCKJD37H7 ZCKJD39 ZCKJD39H29 ZCKJD39H7 |
| Movement of operating head | Linear |
| Type of operator | Metal spring return plunger (ball bearing mounted) |
| Type of approach | Multi-directional approach |
| Positive opening | With |

Complementary

| | |
|------------------|------------|
| Switch actuation | By 30° cam |
| Product weight | 0.15 kg |

Environment

| | |
|---------------------------------------|-------------------|
| Ambient air temperature for operation | 20...120 °C |
| Ambient air temperature for storage | -25...70 °C |
| Environmental characteristic | High temperature |
| RoHS EUR conformity date | 4Q2009 |
| RoHS EUR status | Will be compliant |