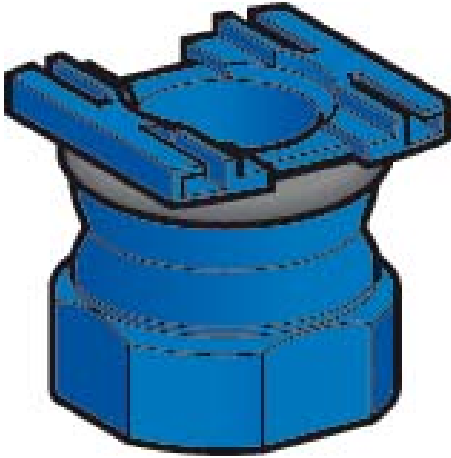


# ZCPEF12

cable gland entry - PF 1/2 (G1/2) - for limit  
switch - plastic body



## Main

|                                       |                          |
|---------------------------------------|--------------------------|
| Accessory / separate part designation | Cable gland entry PF 1/2 |
| Accessory / separate part destination | XCKP body                |
| Accessory / separate part category    | Connection accessories   |
| Accessory material                    | Plastic                  |

## Environment

|                          |                   |
|--------------------------|-------------------|
| RoHS EUR conformity date | 4Q2009            |
| RoHS EUR status          | Will be compliant |